



Shine Midi Digi 02 WW Shine Midi Digi 02 CW

User Manual
- version 0.0.2 -





© Copyright 2012 Tehnologistic SRL
All rights reserved

No part of this publication may be reproduced or transmitted in any form or by any means, electronic or mechanical, including photocopying, without the written permission of SC Tehnologistic SRL
Subject to technical modification



Please read this manual carefully before carrying out the installation!!! Although our products are very robust, incorrect wiring may destroy the module!

During the operation of the device the specified technical parameters shall always be met. At the installation the environment shall be fully taken into consideration. The device must not be exposed to moisture and direct sunshine.

A soldering tool may be necessary for the installation and/or mounting of the devices, which requires special care.

During the installation it shall be ensured that the bottom of the device should not contact with a conductive (e.g. metal) surface!

Content

1. Features	3
2. Package Content	3
3. Tehnical parameters	3
4. Cutting to size.....	4
5. Installation and connection.....	4
6. Advanced features	7



1. Features

- 9 low current high brightness white LED lighting module
- suitable for carriage, platforms or buildings interior lighting.
- the module is usable connected to a DCC function decoder.
- DC powered operation also possible
- user adjustable length in 2 additional steps, max 210 min 190 mm.

Available versions:

Shine Midi Digi 02 Cool White	ordercode tOm 02070306
Shine Midi Digi 02 Warm White	order code tOm 02070307

2. Package Content

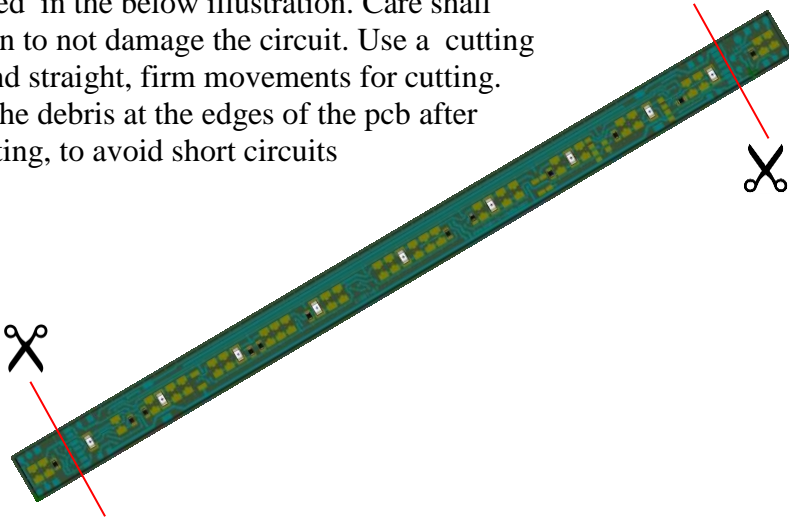
The Shine Midi Digi lighting modules are supplied in transparent plastic bags or blister packs. Check when unpacking the product if the following parts are present: 1 x Shine Midi Digi 02 (Cool White or Warm White).

3. Tehnical parameters

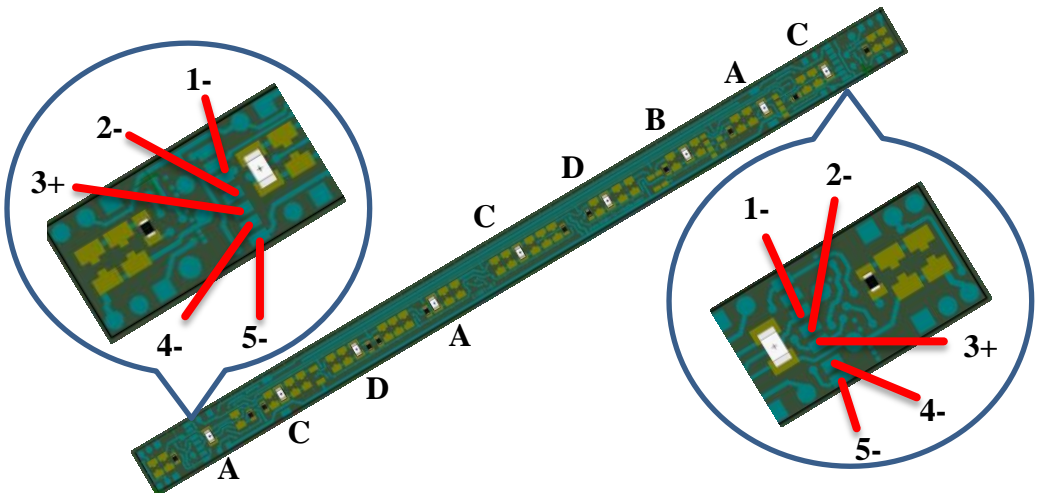
- 9 LEDs organized in 4 groups.
- Size LxWxH: 210 mm x 11mm x 3mm
- Maximum current consumption @16Vdc max 40mA
(max 10mA for each group)
- supply voltage : 6-24 Vdc

4. Cutting to size

The operation can be performed at the points indicated in the below illustration. Care shall be taken to not damage the circuit. Use a cutting plier and straight, firm movements for cutting. Clean the debris at the edges of the pcb after the cutting, to avoid short circuits



5. Installation and connection

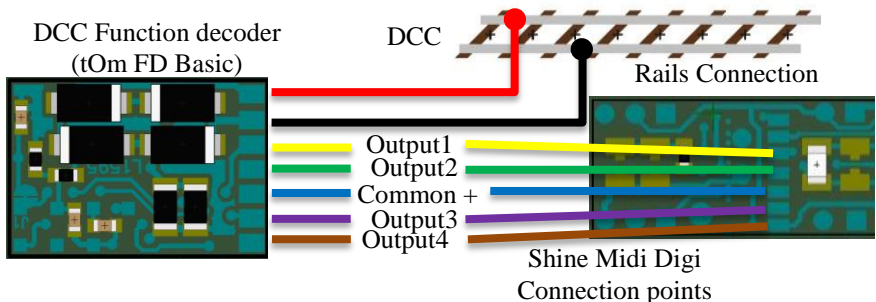


The Shine Midi Digi 02 modules connection points has to be wired to the positive common terminal and to the function outputs of a DCC function decoder.

Please use the following correspondance:

- Connection point **1** (on both end of the module): Group 1 of LEDs (LEDs marked with **A**) connected to Output 1 of the Function decoder (negative polarity, or ground connection)
- Connection point **2** (on both end of the module): Group 2 of LEDs (LEDs marked with **B**) connected to Output 2 of the Function decoder (negative polarity, or ground connection)
- Connection point **3** (on both end of the module): Common positive terminal of the decoder (positive polarity, or V+ connection)
- Connection point **4** (on both end of the module): Group 3 of LEDs (LEDs marked with **C**) connected to Output 3 of the Function decoder (negative polarity, or ground connection)
- Connection point **4** (on both end of the module): Group 4 of LEDs (LEDs marked with **D**) connected to Output 4 of the Function decoder (negative polarity, or ground connection)

DCC Function decoder connection example:



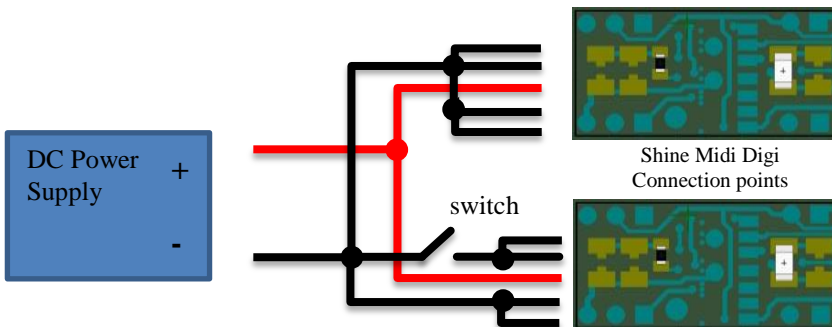


For a proper connection please consult also the manual of the function decoder.

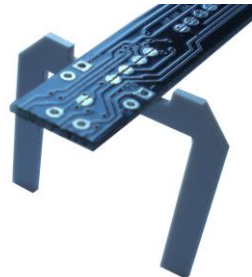


an anti flicker capacitor is not required on the Shine Midi Digi modules, this has to be included on the function decoder.

In case of DC operations, the terminals of the Shine Midi Digi 02 module can be wired directly or through a switch to the power supply. The 4 group of LEDs can be connected together or separately to the negative terminal of the supply

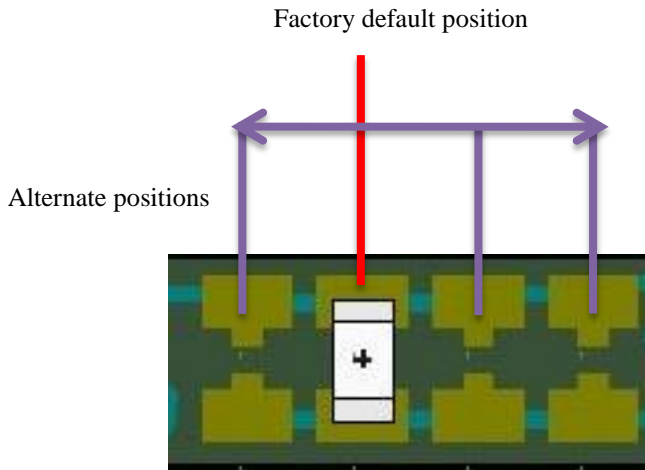


The module can be fixed to the ceiling of the carriage frame by double-sided adhesive tape, or can be held in place with the help of the Shine Pastic Supports (PS Shine).



6. Advanced features

The PCB layout of the Shine Midi Digi 02 module allows the repositioning of the LEDs which results in a better fit in the carriages. The LEDs can be shifted left and right in several positions with a ~ 3 mm pitch, as illustrated below.



For the soldering operations a proper soldering station and soldering skills are required. Incorrect soldering can damage or destroy the module. We recommend these operations only for advanced users!



The LEDs are polarized electronic devices, please do not change their polarity during the repositioning!



Copyright © 2012 Tehnologistic SRL

All rights reserved

The information in this document is subject to change without notice



“train-o-matic” and the  logo are registered trademarks of SC Tehnologistic SRL

www.train-o-matic.com

www.tehnologistic.ro

Tehnologistic SRL
Str. Libertatii Nr. 35A
407035 Apahida, Cluj
Romania
Tel +40-264-556454
Fax +40-264-441275

